

ADVANZ - CTS[®]

Advance Control Technology System



CYLINDERS • PUMPS • TOOLS

RS Series, Single-Acting Cylinders



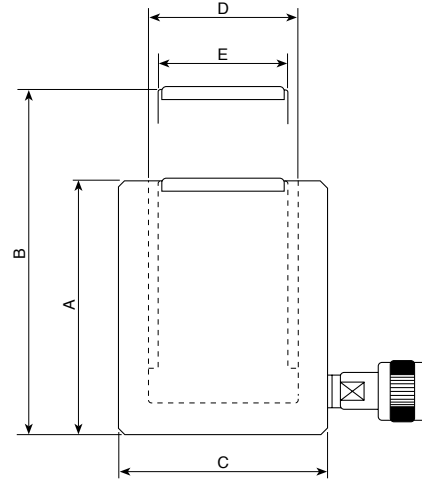
- Design for use in all positions
- High strength alloy steel for durability
- Heavy-duty return springs
- Maximum Pressure : 700 bar



A Type RSC



B Type RSC

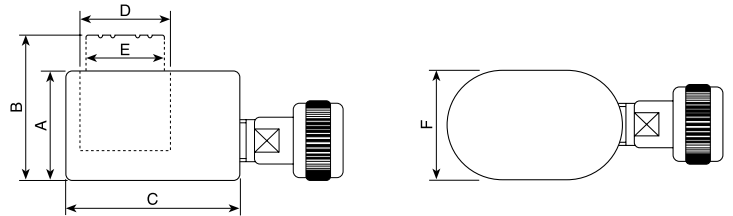


Cylinder Capacity (tons)	Stroke (mm)	Model Number	Cylinder Effective Area (cm ²)	Oil Capacity (cc)	Collapsed Height A (mm)	Extended Height B (mm)	Outside Diameter C (mm)	Cylinder Bore Dia. D (mm)	Plunger Diameter E (mm)	Weight (kgs)
5	50	RS-52	6.38	35	134	184	38	28.5	25	1.1
	100	RS-54	6.38	70	184	284	38	28.5	25	1.4
	125	RS-55	6.38	88	209	334	38	28.5	25	2.0
	150	RS-56	6.38	106	234	384	38	28.5	25	1.8
	200	RS-58	6.38	140	284	484	38	28.5	25	2.2
10	50	RS-102	15.2	76	133	183	58	44	38	2.1
	100	RS-104	15.2	152	183	283	58	44	38	3.4
	125	RS-105	15.2	190	208	333	58	44	38	4.4
	150	RS-106	15.2	228	233	383	58	44	38	4.8
	200	RS-108	15.2	304	283	483	58	44	38	5.6
20	50	RS-202	33.18	166	165	215	88	65	57	7
	100	RS-204	33.18	332	215	315	88	65	57	8.8
	125	RS-205	33.18	415	240	365	88	65	57	11.8
	150	RS-206	33.18	498	265	415	88	65	57	11
	200	RS-208	33.18	664	315	515	88	65	57	12.7
30	50	RS-302	44.18	220	165	215	102	75	65	9.8
	100	RS-304	44.18	440	215	315	102	75	65	12.5
	125	RS-305	44.18	550	240	365	102	75	65	17
	150	RS-306	44.18	660	265	415	102	75	65	16
	200	RS-308	44.18	880	315	515	102	75	65	17.5
50	50	RS-502	70.88	355	173	223	127	95	85	15.8
	100	RS-504	70.88	710	223	323	127	95	85	20
	125	RS-505	70.88	878	248	373	127	95	85	27
	150	RS-506	70.88	1070	273	423	127	95	85	23.5
	200	RS-508	70.88	1425	323	523	127	95	85	27.7
100	50	RS-1002	132.7	664	191	241	178	130	110	18
	100	RS-1004	132.7	1330	226	326	178	130	110	38.8
	150	RS-1006	132.7	1991	286	436	178	130	110	49.2

RSF Series, Single-Acting Flat Cylinders



- Flat design for use with minimum clearance for insertion of cylinder
- Maximum Pressure : 700 bar
- Single-acting spring return

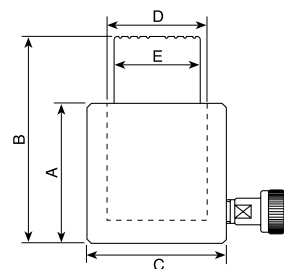


Cylinder Capacity (tons)	Stroke (mm)	Model Number	Cylinder Effective Area (cm ²)	Oil Capacity (cc)	Collapsed Height A (mm)	Extended Height B (mm)	Outside Diameter C (mm)	Cylinder Bore Dia. D (mm)	Plunger Diameter E (mm)	Cylinder Dimension F (mm)	Weight (kgs)
10	11	RSF-100	15.2	16	45	56	85	44	38	56	1.5
20	11	RSF-200	28.3	31	52	63	102	60	54	76	2.7
30	13	RSF-300	41.85	53	59	72	115	73	64	95	4.2
50	16	RSF-500	60.8	99	67	83	140	88	75	114	6.9
75	16	RSF-750	103.87	164	79	95	165	115	85	140	11
100	16	RSF-1000	126.7	203	86	102	180	127	95	152	14.7
150	16	RSF-1500	201	317	100	116	215	160	115	190	25

RSC Series, Single-Acting Compact Cylinders



- Light weight, low profile design for use in confined space
- Best solutions where minimal stroke is required
- Maximum Pressure : 700 bar
- Single-acting spring return

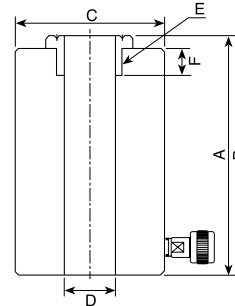


Cylinder Capacity (tons)	Stroke (mm)	Model Number	Cylinder Effective Area (cm ²)	Oil Capacity (cc)	Collapsed Height A (mm)	Extended Height B (mm)	Outside Diameter C (mm)	Cylinder Bore Dia. D (mm)	Plunger Diameter E (mm)	Weight (kgs)
10	44	RSC-101	15.2	66	99	143	68	44	38	2.6
20	44	RSC-201	28.3	124	99	143	88	60	54	4.3
30	44	RSC-301	44.2	194	99	143	105	75	64	6.2
50	50	RSC-502	63.6	318	109	159	125	90	75	10.2
100	50	RSC-1002	132.7	663	139	189	178	130	85	23.8
150	50	RSC-1502	201	1005	170	220	208	160	95	41.1
200	50	RSC-2002	283.5	1417	180	230	245	190	115	60.3

RSH Series, Single-Acting Hollow Plunger Cylinders



- Hollow plunger design allows for both push and pull forces
- Maximum Pressure : 700 bar
- Single-acting spring return

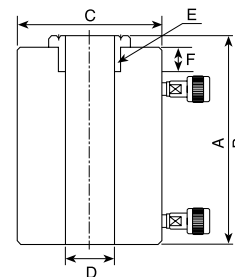


Cylinder Capacity (tons)	Stroke (mm)	Model Number	Cylinder Effective Area (cm ²)	Oil Capacity (cc)	Collapsed Height A (mm)	Extended Height B (mm)	Outside Diameter C (mm)	Center Hole Dia. D (mm)	Collar Thread E (mm)	Collar Thread Length F (mm)	Weight (kgs)
10	41	RSH-101	17.6	70.5	121	162	70	20	-	-	2.8
20	50	RSH-201	31.67	158.4	162	212	98	27	1.9/16	24	7.6
30	63	RSH-302	47.7	300.6	179	242	115	33	M48x1.5	20	10.9
50	75	RSH-502	85.5	650	235	310	159	54	M70x2	28	27.2
100	75	RSH-1002	143.13	1049	254	329	216	80	M103x2	28	52.5

RDH Series, Double-Acting Hollow Plunger Cylinders



- Hollow plunger design allows for both push and pull forces
- Maximum Pressure : 700 bar
- Double-acting operation for fast retraction
- Suitable for applications such as pulling, testing and stressing

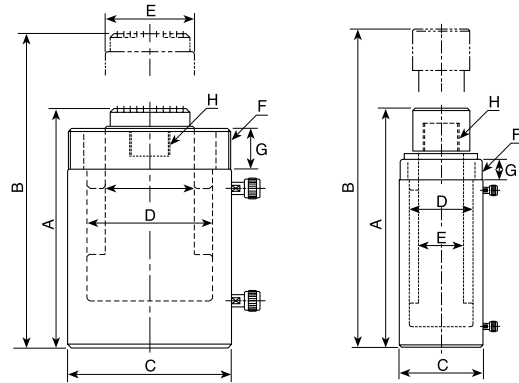


Cylinder Capacity (tons)	Stroke (mm)	Model Number	Cylinder Effective Area (cm ²)	Oil Capacity (cc)	Collapsed Height A (mm)	Extended Height B (mm)	Outside Diameter C (mm)	Center Hole Dia. D (mm)	Collar Thread E (mm)	Collar Thread Length F (mm)	Weight (kgs)
10	254	RDH-1010	14.4	365	406	660	70	20	M32x1.5	20	11
30	210	RDH-308	44.2	928	425	635	115	33	M54x2.5	50	28
50	156	RDH-506	70.9	1106	380	536	159	54	M74x2.0	36	42
100	168	RDH-1006	132.7	2230	382	550	216	80	M116x3.0	50	79

RD Series, Double-Acting Cylinders



- Collar threads for easy fixturing
- Removable hardened saddles protect plunger during lifting and pressing
- Maximum Pressure : 700 bar
- Faster retraction under hydraulic power



Cylinder Capacity (tons)	Stroke (mm)	Model Number	Cylinder Effective Area (cm ²)	Oil Capacity (cc)	Collapsed Height A (mm)	Extended Height B (mm)	Outside Diameter C (mm)	Cylinder Bore Dia. D (mm)	Plunger Diameter E (mm)	Collar Thread F (mm)	Collar Thread Length G (mm)	Plunger Thread H (mm)	Weight (kgs)
5	150	RD-55	9.6	114	286	436	45	35	25	M45x1.5	25	M20x1.5	3.3
	300	RD-511	9.6	288	436	736	45	35	25	M45x1.5	25	M20x1.5	4.8
10	150	RD-105	15	228	314	464	62	44	30	M60x2.0	30	M28x2.0	4.5
	300	RD-1011	15	456	464	764	62	44	30	M60x2.0	30	M28x2.0	9
20	150	RD-205	33.2	498	363	513	88	65	45	M85x2.5	50	M40x2.0	13.5
	300	RD-2011	33.2	996	513	813	88	65	45	M85x2.5	50	M40x2.0	20
30	150	RD-305	44.2	663	398	548	105	75	55	M100x2.5	55	M50x2.0	24
	300	RD-3011	44.2	1326	548	848	105	75	55	M100x2.5	55	M50x2.0	33
50	150	RD-505	70.8	1063	340	490	128	95	65	M127x2.5	45	M40x2.0	30
	300	RD-5011	70.8	2126	490	790	128	95	65	M127x2.5	45	M40x2.0	50
100	150	RD-1005	132.7	1990	352	502	178	130	100	M175x3.0	50	M65x3.0	64
	300	RD-10011	132.7	3980	502	802	178	130	100	M175x3.0	50	M65x3.0	83
150	150	RD-1505	213.8	3207	410	560	218	165	120	M215x3.5	55	M70x4.0	104
	300	RD-15011	213.8	6414	560	860	218	165	120	M215x3.5	55	M70x4.0	136
200	150	RD-2005	283.5	4253	400	550	248	190	135	M245x4.0	60	M80x4.0	129
	300	RD-20011	283.5	8506	550	850	248	190	135	M245x4.0	60	M80x4.0	169
300	150	RD-3005	433.7	6506	433	583	315	235	170	M315x4.0	70	M80x4.0	230
	300	RD-30011	433.7	13012	583	883	315	235	170	M315x4.0	70	M80x4.0	298
500	150	RD-5005	706.8	10603	475	625	405	300	-	-	-	-	490
	300	RD-50011	706.8	21206	625	925	405	300	-	-	-	-	590
800	150	RD-8005	1164.2	17462	550	700	525	385	-	-	-	-	782
	300	RD-80011	1164.2	34924	700	1000	525	385	-	-	-	-	989
1000	150	RD-10005	1452.2	21783	610	760	585	430	-	-	-	-	1216
	300	RD-100011	1452.2	43566	760	1060	585	430	-	-	-	-	1533

PU, Hydraulic Pullers



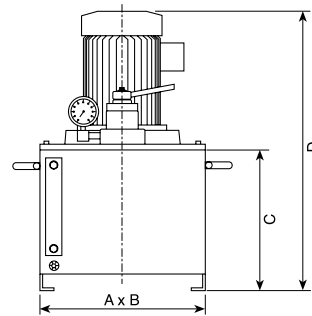
- Capacity : 10 - 50 tons
- Stroke : 150 mm
- Hydraulic Puller used for removing bearing, gear or pulley from shafts
- Maximum Pressure : 700 bar

Cylinder Capacity (tons)	Model Number	Cylinder Stroke (mm)	Maximum Reach (mm)	Maximum Spread (mm)	Weight (kgs)
10	PU-10	150	180	240	13.5
20	PU-20	150	280	400	36.8
30	PU-30	150	280	420	46.7
50	PU-50	150	360	520	85.3

Electrical Hydraulic Pumps



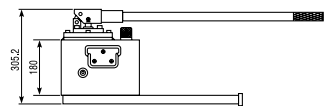
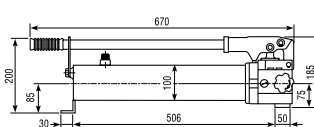
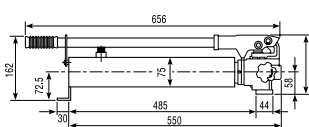
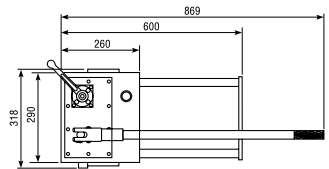
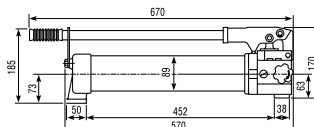
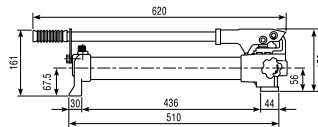
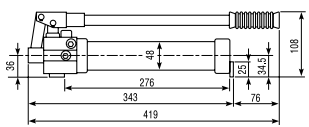
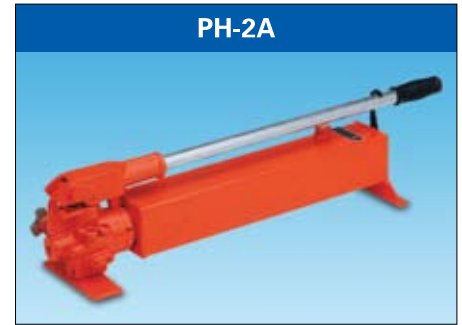
- 2-speed operation, reduces cycle time for improve productivity
- Maximum Pressure : 700 bar
- For used of both single and double acting cylinder



Used With Cylinder	Usable Oil Capacity (litre)	Valve Type	Model Number	Motor Size (HP)	Pressure Rating (bar)		Flow Rate (1/min)		Dimension (mm)			Weight (kgs)
					1st stage	2nd stage	1st stage	2nd stage	A x B	C	D	
Single Acting	11	Manual (VM2)	EPM1211E	1	70	700	3.3	0.6	300x300	200	449	50
	11	Solenoid (VS2)	EPR1211E	1	70	700	3.3	0.6	300x300	200	449	50
	23	Manual (VM2)	EPM2223E	2	70	700	6.6	1.2	370x470	220	558	82
	36	Manual (VM2)	EPM3236E	3	70	700	10	1.8	370x470	320	678	103
	48	Manual (VM2)	EPM5248E	5	70	700	16.6	3	370x470	420	778	142
Double Acting	11	Solenoid (VS3)	EPR1311E	1	70	700	3.3	0.6	300x300	200	449	50
	23	Solenoid (VS3)	EPR2323E	2	70	700	6.6	1.2	370x470	220	558	82
	36	Solenoid (VS3)	EPR3336E	3	70	700	10	1.8	370x470	320	678	103
	48	Solenoid (VS3)	EPR5348E	5	70	700	16.6	3	370x470	420	778	142

Steel Hand Pumps

- External adjustable relief valve
- Two speed operation for reduced operator fatigue
- Output port 3/8" NPT
- Reservoir Capacity : 280 - 10000 cc
- Volume Per Stroke : 1 - 7 cc/stroke
- Maximum Pressure : 700 bar



Reservoir Capacity (cc)	Model Number	Oil Displacement per Stroke (cc)		Piston Dia. (mm)		Piston Stroke (mm)	Weight (kgs)	
		1st stage	2nd stage	1st stage	2nd stage			
280	PH-1A	5	1	10	10	14.5	4	
800	PH-1B	13	2.3	28	12	20.5	7.8	
800	PHA-1B	13	2	28	11	20.5	4	Aluminium
2000	PH-2A	13	2.3	28	12	20.5	10.3	
2000	PHA-2A	13	2	28	11	20.5	8	Aluminium
2300	PH-2B	31	2.3	44	12	20.5	10.5	
3000	PH-3A	31	2.3	44	12	20.5	12.5	
10000	PH-3B	90	7	60	14	30	50	



FLUID-TEC Engineering & Trading Pte Ltd

No. 5 Kian Teck Way, Singapore 628733
Tel: (65) 6264 3881 Fax: (65) 6265 9707
Email: fluidtec@singnet.com.sg
Website: www.fluid-tec.net

All design and specification are subject to change without notice.