

# hydroline filters

## and accessories



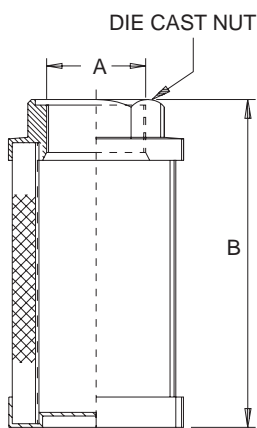
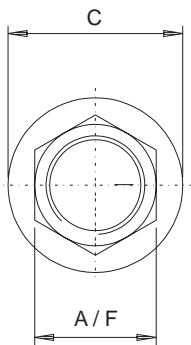
### SECTION 12

Prices	Sec12:2
Suction Strainer	Sec12:4
Filters – Inline Spin on	Sec12:5
Filter – Tank Immersed	Sec12:9
Gauge Indicators	Sec12:12
Level Gauge	Sec12:13
Sight Level Gauge – Threaded Type	Sec12:14
Breathers	Sec12:15
Breathers – Spin on	Sec12:20
Check Valve – Inline	Sec12:21

# Suction Strainer



- Reusable SS 100 mesh / 149 micron standard
- Aluminium die cast nut
- Steel cap / support tube
- Continuous epoxy bond
- Maximum working temperature 80°C
- Suitable for hydraulic / mineral oil



Model	Flow	Thread	Overall	Dia	Nut	Screen	Wt
	LPM	in. BSPP	length	nut cap	A/F	area	kgs
		A	B	C		sq cms	
<b>SC3 - 002</b>	8	1/4	90	46	24	187	0.10
<b>SC3 - 003</b>	12	3/8	90	46	24	187	0.10
<b>SC3 - 005</b>	20	1/2	105	46	30	226	0.10
<b>SC3 - 007</b>	28	3/4	109	64	35	406	0.20
<b>SC3 - 010</b>	40	1	139	64	46	542	0.20
<b>SC3 - 015</b>	60	1 1/4	139	86	51	929	0.30
<b>SC3 - 020</b>	80	1 1/2	168	86	60	1161	0.35
<b>SC3 - 030</b>	120	1 1/2	200	86	60	1393	0.40
<b>SC3 - 040</b>	160	2	235	100	70	1806	0.55
<b>SC3 - 050</b>	200	2	260	100	70	2032	0.60
<b>SC3 - 075</b>	300	2 1/2	211	150	90	2787	0.85
<b>SC3 - 100</b>	400	3	272	150	100	3677	1.00
<b>SC3 - 150</b>	600	3	345	150	100	4838	1.25

## Model code : Assembly

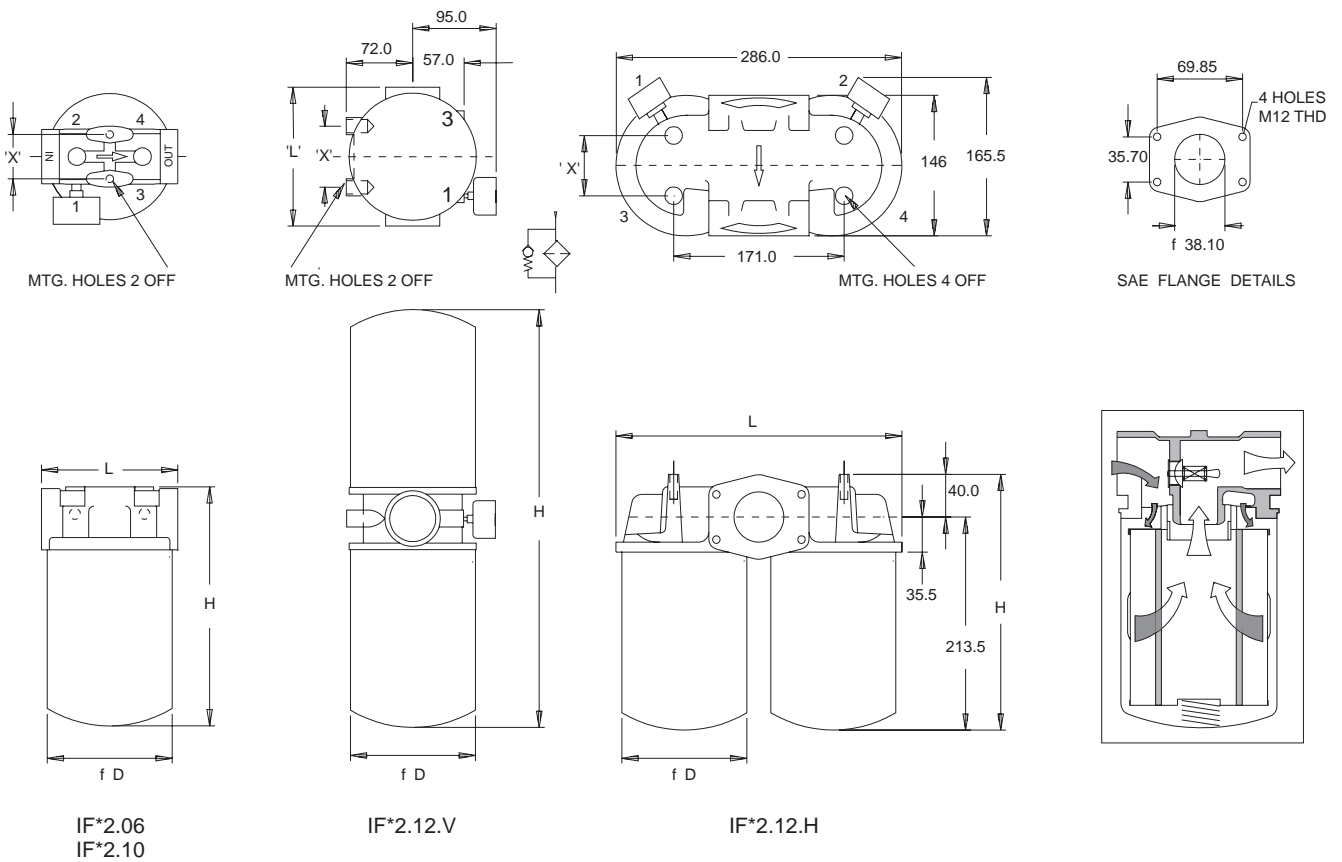
Series	Size	Port threads	Microns	Feature
		Optional #	Optional #	Special #
		<b>BSPP</b> – standard	<b>149</b> – SS 100 mesh standard	<b>RB3</b> – By pass valve optional
		<b>NPT</b> – optional	<b>74/63</b> – optional	

- Omit if standard
- Consult factory for optional / special feature

# Filter - Inline Spin on



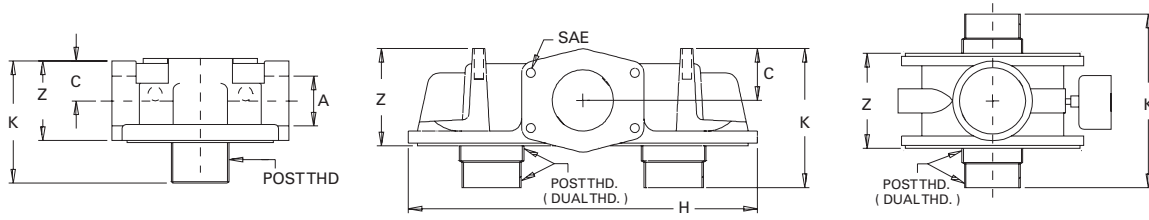
- Disposable spin on
- Die cast aluminium head
- 3 sizes – flows to 300 LPM
- Maximum pressure 10 bar
- Maximum temperature 80°C
- Bypass standard 1 bar (suction 0.2 bar)
- For use with mineral / petroleum based oils



Model code	L	D	H	X	Mounting holes		Gauge port		Wt kgs
					nos	size	nos	NPT	
IF*2.06.20	95	95	192	38	2 off	M6x1.0	1 off	1/8"	1.0
IF*2.10.50	139	129	247	48	2 off	M8x1.25	1 off	1/8"	2.3
IF*2.12V.80	148	129	426	65	2 off	M10x1.5	2 off	1/8"	3.4
IF*2.12H.80	286	129	251	60	4 off	M10x1.5	2 off	1/8"	5.0

# Filter - Inline Spin on

## HEAD CASTING



IF\*2.06

DUALTHREAD ( 1-1/4 BSPP & 1-1/2 UNF )

IF\*2.10

IF\*12 - H

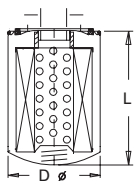
IF\*12 - V

Model	Port thread "A"	Post thread	C	K	Z	H	Weight kgs
IF* 2.06.B	3/4 " BSPP	3/4" BSPP	22	58	45	-	0.3
IF* 2.06.U	3/4 " BSPP	1" UNF x 12					
IF* 2.10.B	1-1/4 " BSPP	dual thd	32	96	67	-	1.1
IF* 2.12.V.B	1-1/2 " BSPP	dual thd	-	140	70	-	1.0
IF* 2.12.H.B	1-1/2 " BSPP	dual thd	40	107	76	286	2.5
IF* 2.12.H.S	1-1/2 " BSPP	dual thd					

## ELEMENT

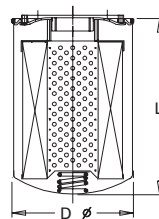
B - 3/4" BSP

U - 1" UNF X 12.T.P.I.



S/E - 20 - \* \* - \*

1 - 1/4" BSPP



IFE - 50 - \* \* - B

Cartridge	D	L	Filtration area square cm	Weight kgs
S/E-20-* *-*	96	146	2 100	0.7
IFE-50-* *-*	129	180	5 600	1.2

## Filter – Inline Spin on

### MODEL CODE: COMPLETE ASSEMBLY

Series	Port inch	SIZE	FILTRATION μ MICRONS	Post thread
	0 6 B - 3/4" BSPP	20	10 - 10 μ NOM	B - BSPP U - UNF (STD)
	12 B - 3/4" BSPP	50	25 - 25 μ NOM	B - BSPP

### # OPTIONAL/SPECIAL FEATURE - OMIT IF NOT REQUIRED CONSULT FACTORY FOR

Indicator: OPTIONAL (TO BE ORDERED SEPERATELY)  
 GR 40 - VISUAL INDICATOR  
 ER - ELETRICAL INDICATOR

Series	Port size	SIZE	Post thread	Feature special #
	0 6 B - 3/4"	B - BSPP (STD)	B - BSPP U - UNF (STD)	
	12 B - 3/4"		DUAL THREAD	

Series	size	SIZE	Post thread
S/ET	20	10 - 10 μ NOM	B - BSPP U - UNF (STD)
TFE	50	25 - 25 μ NOM	B - BSPP (STD)

# Filter – Inline Spin on

Model code : Assembly

IF R2	-10	B	- 50	- 10	B	- *
Series	Port size	Port connection	Size	Filtration $\mu$ microns	Post thread	Feature special #
<b>B</b> – No by pass	<b>06</b> – 3/4"	<b>B</b> – BSPP (standard)	<b>20</b>	<b>10</b> – 10 $\mu$ NOM	<b>B</b> – BSPP <b>U</b> – UNF (standard)	
<b>R</b> – Return	<b>10</b> – 1 1/4"	<b>N</b> – NPT (Not for 12V)	<b>50</b>	<b>25</b> – 25 $\mu$ NOM	Dual thread	
<b>S</b> – Suction	<b>12V</b> – 1 1/2" <b>12H</b> – 1 1/2"	<b>S</b> – SAE flange (only for 12H)	<b>80</b>			

Indicator : Optional (to be ordered separately)

**GR** – visual return                      **ER** – electrical return  
**GS** – visual suction                      **ES** – electrical suction

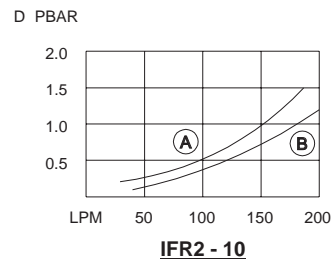
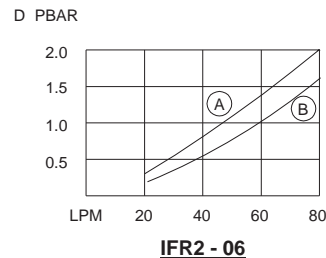
Indicator ports:

**B** = 4 x 1/8" NPT      Inlet/outlet  
**R** = 2 x 1/8" NPT      Inlet  
**S** = 2 x 1/8" NPT      Outlet  
**X** = None (optional #)

Model code : Head casting

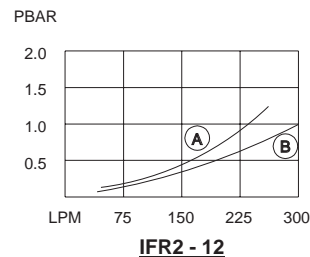
IF R2	-10	B	- B	- *
Series	Port size	Port connection	Post thread	Feature special #
<b>B</b> – No by pass	<b>06</b> – 3/4"	<b>B</b> – BSPP (standard)	<b>B</b> – BSPP <b>U</b> – UNF (standard)	
<b>R</b> – Return	<b>10</b> – 1 1/4"	<b>N</b> – NPT (not for 12V)	Dual thread	
<b>S</b> – Suction	<b>12V</b> – 1 1/2" <b>12H</b> – 1 1/2"	<b>S</b> – SAE flange (only for 12H)		

OIL VISCOSITY 32 cSt @ 30° C  
 (A) - 10 MICRONS (B) - 25 MICRONS



Model code : Element

***	-050	-10	- B
Series	Size	Filtration $\mu$ microns	Post thread
<b>S/E</b>	<b>20</b>	<b>10</b> – 10 $\mu$ NOM	<b>B</b> – BSPP <b>U</b> – UNF (standard)
<b>IFE</b>	<b>50</b>	<b>25</b> – 25 $\mu$ NOM	<b>B</b> – BSPP (standard)

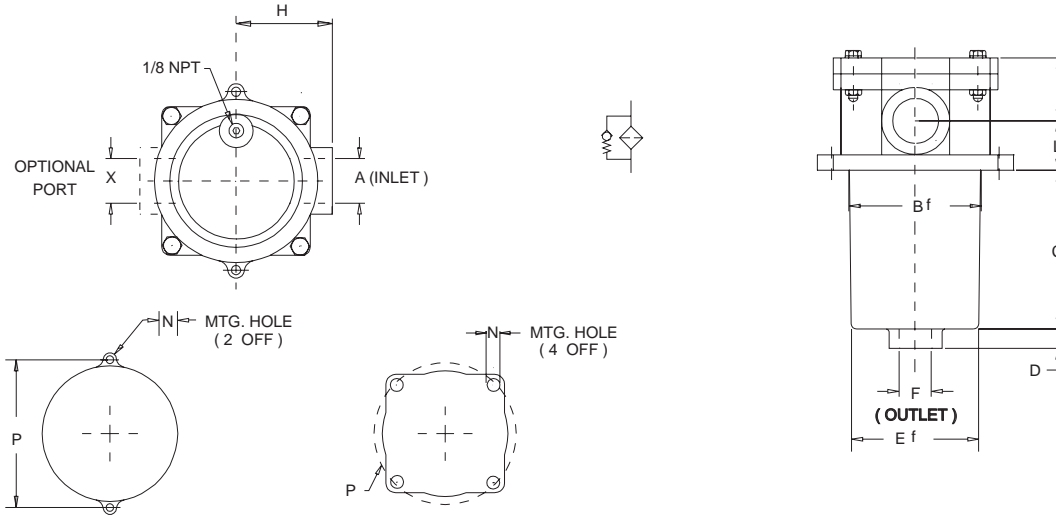


# Optional / special feature – omit if not required  
 Consult factory for  $\beta = 75$  (absolute) rated elements availability

# Filter - Tank Immersed



- Direct tank mounting
- 10 bar working pressure / maximum temperature 80°C
- Diecast construction
- Bowl: plastic
- 5 Sizes – flows to 175 lpm
- Bypass standard 1 bar
- Elements replaceable through cover
- Suitable for mineral / petroleum based oils



**TIF 2 - 04**  
**TIF 2 - 06**  
**TIF 2 - 08**

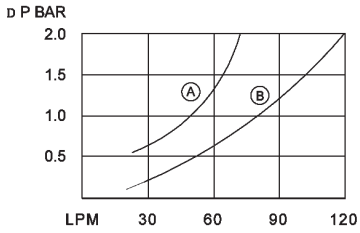
**TIF 2 - 10**

Model L	Port 'A' BSPP	Port 'X' BSPP	B	C	D	E	Port 'F' BSPP	H	I	L	N	P	Element area sq cms 10/25 μ	Wt kgs
<b>TIFP-04</b>	1/2"	-	65	65	13	62	1/2"	51	25	20	6.6	90	710	0.9
<b>TIFP-06</b>	3/4"	-	89	65	13	84	3/4"	70	42	33	8.2	114	1225	1.5
<b>TIFP-08</b>	1"	-	89	108	13	84	3/4"	70	42	33	8.2	114	2450	1.7
<b>TIFP-06/08</b>	1"	3/4"	89	108	13	84	3/4"	70	42	33	8.2	114	2450	1.8
<b>TIFP-10</b>	1 1/4"	1 1/4"	129	213	19	122	1 1/4"	178	45	44	10.5	175	6120	4.0

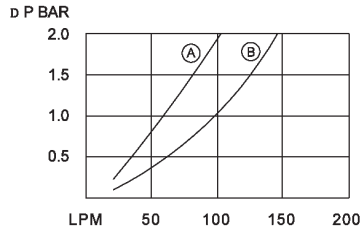
# Filter – Tank Immersed

OIL VISCOCITY 32 cSt @ 30; C

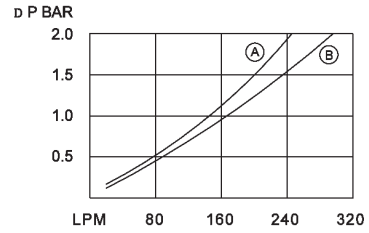
Ⓐ - 10 MICRONS    Ⓑ - 25 MICRONS



**TIF2 - 06**  
**TIF2 - 04** - FLOW 20 LPM



**TIF2 - 08**



**TIF2 - 10**

**Indicator** : Optional (to be ordered separately)

**GR40** – visual return

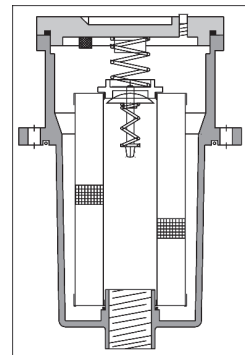
**ER** – electrical indicator

## Model code : Assembly

TIF 2	-08 B	-**B	- 010	- *
Series	Port 'A' inch (BSPP)	Port 'X' optional # inch (BSPP)	Filtration μ microns	Feature special #
<b>2</b> – All cast	<b>04</b> – 1/2" <b>06</b> – 3/4" <b>08</b> – 1" <b>10</b> – 1 1/4"	<b>06</b> – 3/4" <b>10</b> – 1 1/4"	<b>010</b> – 10 μ NOM <b>025</b> – 25 μ NOM	

## Model code : Element

TIE	-08	- 010
Series	Size	Filtration μ microns
<b>TIE</b>	<b>04</b>	<b>010</b> – 10 μ NOM
	<b>06</b>	<b>025</b> – 25 μ NOM
	<b>08</b>	
	<b>10</b>	



# Optional / special feature – omit if not required  
Consult factory for β = 75 (absolute) rated elements availability



## Filter – Tank Immersed

INDICATOR: OPTIONAL  
 (TO BE ORDERED SEPERATELY)  
 GR 40 - VISUAL INDICATOR  
 ER - ELECTRICAL INDICATOR

Series	Port INCH	Port thread	FILTRATION $\mu$ MICRONS	FEATURE SPECIAL #
	04 - 1/2"	B - BSPP (STD)	010 - 10 $\mu$ NOM	
	06 - 3/4"	N - NPT (OPTIONAL)	025 - 25 $\mu$ NOM	
	08 - 1"			
	10 - 1-1/4"			

Series	SIZE	FILTRATION $\mu$ MICRONS
FIE	04	010 - 10 $\mu$ NOM
	06	025 - 25 $\mu$ NOM
	08	
	10	

# Gauge Indicators



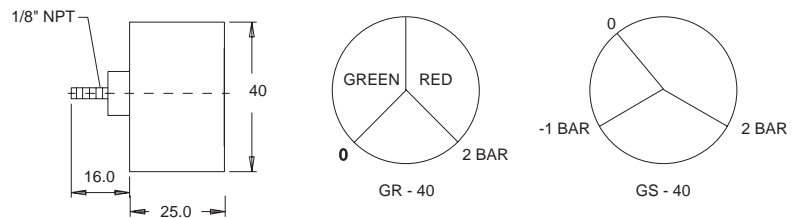
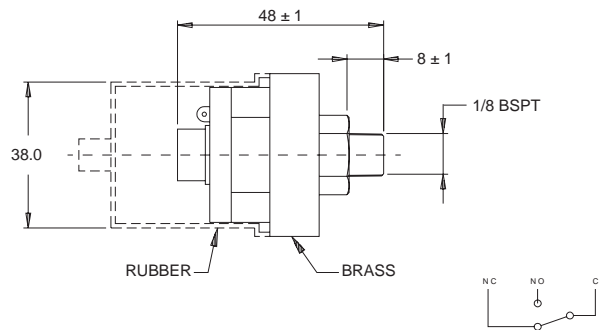
## Clogging indicator – electrical

- Micro switch maximum 3A – 250 VAC
- Test pressure 10 bar
- Working temperature to +85°C

Model	Pressure range bar	Differential pressure
ER	0.5 – 8	0.4 ± 0.05 Return line
ES	0.15 – 8	0.1 ± 0.02 Suction line

## Clogging indicator – visual

G	R	- 40
Gauge	R – Return	40 – 40 DIA
	S – Suction	



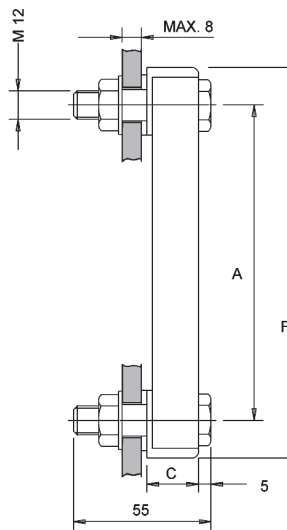
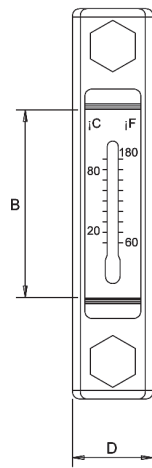
## Notes:

- Pressure drop vs flow data is for complete filter assembly with clean element.
- We recommend the return filters are sized at a maximum of 0.35 bar (5 PSI) clean element pressure drop in order to obtain satisfactory element service life.
- When sizing a filter, apart from flow, the rate of flow arising out of differential piston DIA should be taken into account.
- Internal filter bypass protects element collapse under clogged condition.
- Filter life will be increased if the line surge condition can be minimised.
- Suction filters are sized at a maximum of 0.03 bar (0.5 PSI) clean element pressure drop. Recommended operating pressure drop should not exceed 50% of bypass valve crack pressure, but maximum inlet vacuum for suction applications should comply with pump manufacturer's recommendation.

# Level Gauge



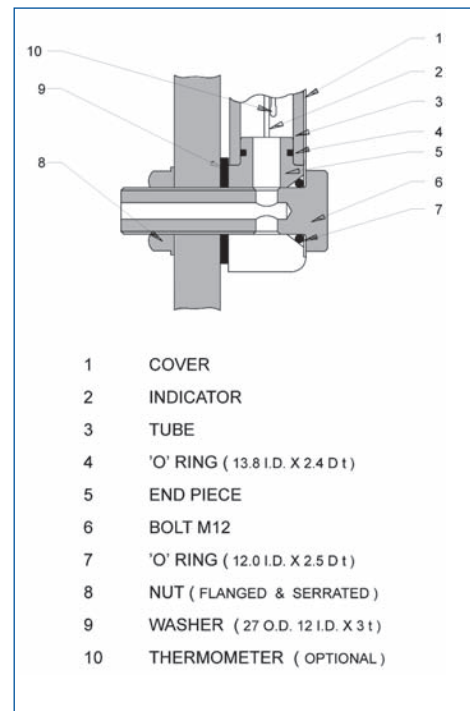
- O-ring type construction
- 3 sizes — 3", 5" and 10" — between bolt centres
- For non-pressurised tanks only
- Can be mounted on tapped holes
- Suitable for mineral / petroleum based oils
- Maximum temperature 80°C



Model	A	B	C	D	F	Wt (kgs)
LG2 - 03	76	37	20	34	108	0.20
LG2 - 05	127	76	20	34	159	0.24
LG2 - 10	254	203	20	34	286	0.28

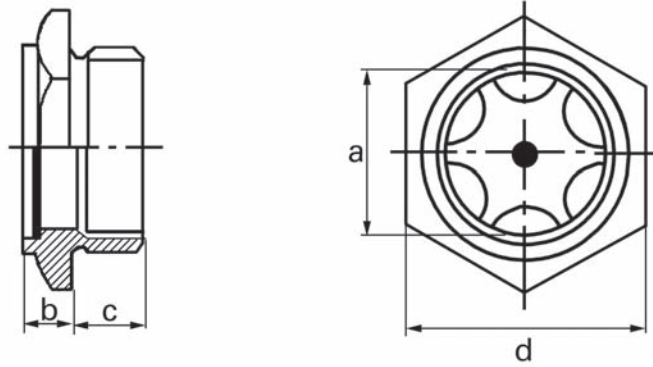
## Model code : Assembly

LG 2	- 05	T	- M10
Series	Size inch	Feature optional #	Feature special #
LG 2	03 - 3"	T - Thermometer	M12 - Standard (M12 x 1.75 bolt)
	05 - 5"		M10 - Special (M10 x 1.50 bolt)
	10 - 10"		



# Optional / special feature – omit if not required

## Sight Level Gauge — Threaded Type



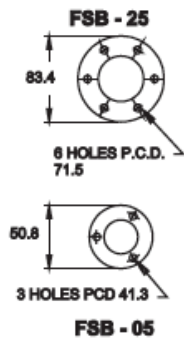
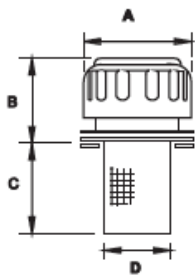
Part no.	BSP	a	b	c	d
SG-02B	1/4"	10	8	8	17
SG-03B	3/8"	12	7	9	22
SG-04B	1/2"	15	7	10	27
SG-06B	3/4"	20	8	11	32
SG-08B	1"	25	9	14	40
SG-10B	1 1/4"	34	9	15	50
SG-12B	1 1/2"	38	9	15	55

# Breather

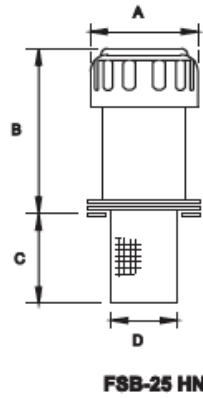


- Chrome plated steel capr – vented underneath
- Filtration 40 microns standard / optional 10 microns
- Air flows to 25 cfm (750 LPM)
- Rugged cast aluminium housing (for BM model)
- Metal strainer – standard
- Hardware includes gasket

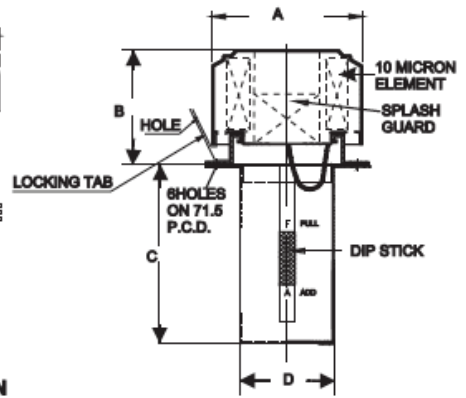
## FLANGE TYPE



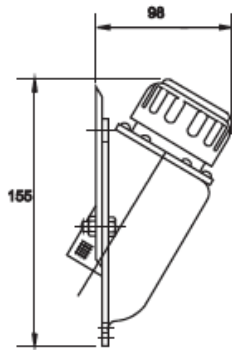
## FLANGE TYPE HIGH NECK



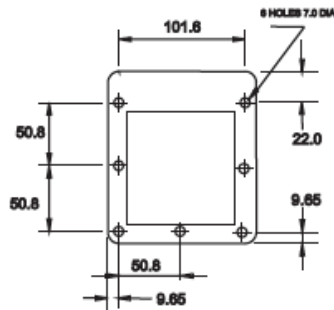
## OPTIONAL FEATURES



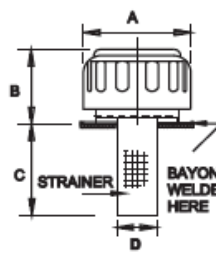
## SIDE MOUNT



**FSB - 25 BM**

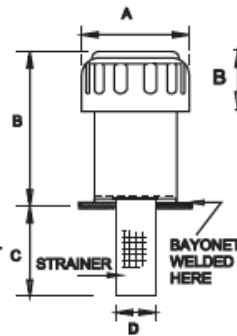


## WELD TYPE



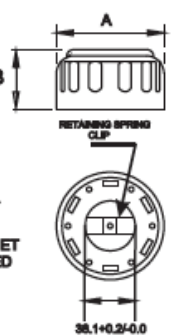
**FSBW - 25**

## WELD TYPE HIGH NECK



**FSBW - 25 HN**

## PUSH ON TYPE



**PB-25**

# OPTIONAL / SPECIAL FEATURE (CONSULT FACTOR - OMIT IF NOT REQUIRED)

# Breather

Model	Displacement		Rating microns	A	B	C	D	Wt kgs
<b>FSB - 05</b>	150	LPM	40	45	49	65	28	0.10
<b>FSB - 05 - 0</b>	90	LPM	10					
<b>FSB - 25</b>	720	LPM	40	77	62	91	48	0.25
<b>FSB - 25 - 0</b>	400	LPM	10	77	62	91	48	0.25
<b>FSBW - 25</b>	720	LPM	40	77	62	91	30	0.25
<b>FSB - 25-HN</b>	720	LPM	40	77	122	91	48	0.40
<b>FSBW - 25-HN</b>	720	LPM	40	77	122	91	30	0.40
<b>PB - 25</b>	720	LPM	40	77	50	-	-	0.21

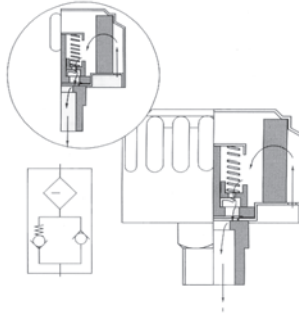
FSB	- 25	-	- BM	-	-
Series	Capacity CFM	Filtration μ microns	Feature optional (1)	Strainer C optional (2)	Feature special #
<b>FFSB</b>	05	40 - STD		<b>STD</b>	<b>DS</b> - DIP STICK
<b>FSB</b>	25		10 - OPTIONAL	<b>BM</b> - SIDE MOUNT	# <b>L</b> - STD
<b>FSBW</b>				<b>HN</b> - HIGH NECK	<b>L</b> - 152 <b>L</b> - 203

# Optional / special feature (consult factory) – omit if not required

# Breather

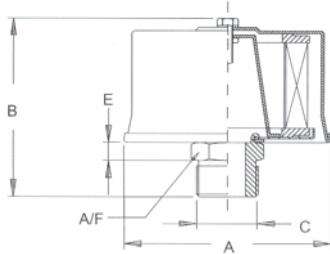


## P-feature

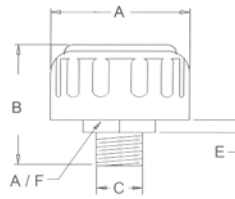


- Built in valve assembly helps to maintain preset pressure (5 PSI) in the tank.
- Allows free flow of air into the tank if pressure falls below atmosphere
- If pressure inside tank increases valve releases at preset pressure (5 PSI)
- Displaced air is filtered and clean

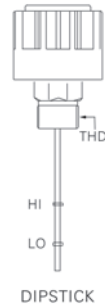
## THREADED TYPE



TB - 35  
TB - 65  
TB - 165



TB - 05  
TB - 25



DIPSTICK

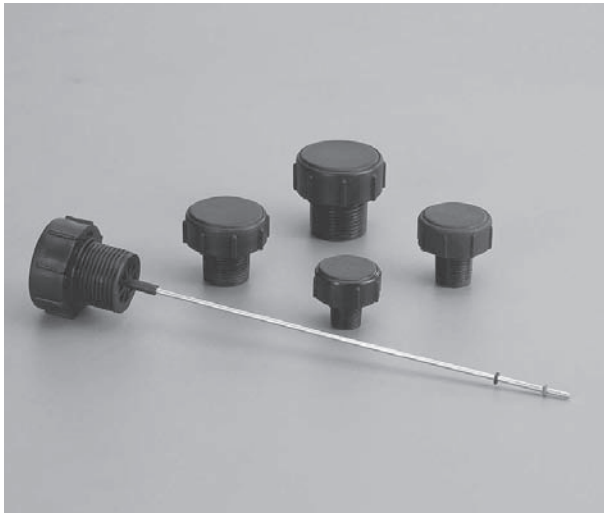
Model	Displacement	Rating microns	A	B	C Std in BSPP	E	A/F	Wt kgs
TB . 05	150 LPM	40	45	63	1/4"	8	25	0.13
TB . 05 . 10	90 LPM	10						
TB . 25	720 LPM	40	77	75	3/4"	10	30	0.25
TB . 25 . 10	400 LPM	10						
TB . 35	1000 LPM	10	110	138	1 1/2"	12	55	0.40
TB . 65	2000 LPM	10	145	145	2"	15	65	0.55
TB . 165	4000 LPM	10	185	195	2 1/2"	15	80	1.30

## Model code : Assembly

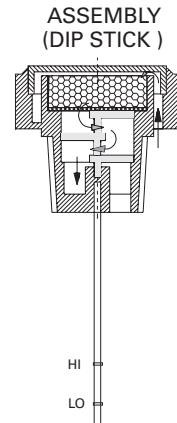
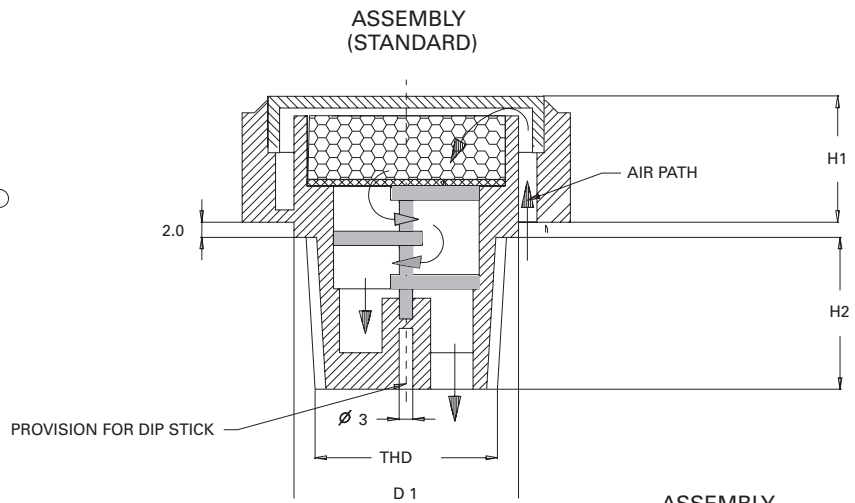
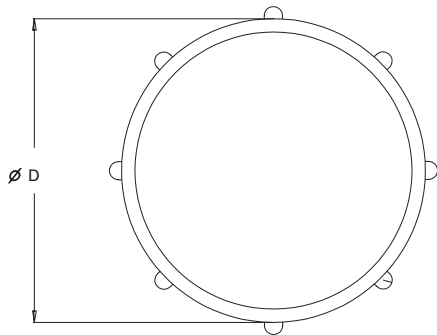
TB	- 05	- 10	- ***		-P
Series	Capacity CFM	Filtration μ microns	Threads optional		Feature special #
TB	05	40 μ – standard	03 – 3/8"	B – BSPP	P – Pressurised (SPSI) SG – Splash guard DS – Dipstick
			04 – 1/2"		
	25	10 μ – optional	08 – 1"	N – NPT	
			35	10 μ – standard	
			65	10 μ – standard	
165	10 μ – standard				

# Optional / special feature (consult factory) – omit if not required

# Breather



- Sturdy construction (ABS)
- Vents underneath
- Splash guard standard
- Filtration 40 microns
- Suitable for miniature power packs
- Dipstick optional



Model no.	D	D1	H1	H2
ABP.03*	34.5	21.0	15.0	15.0
ABP.04*	40.0	26.0	16.0	20.0
ABP.06*	45.0	32.5	16.0	20.5
ABP.08*	50.0	37.0	20.0	25.0

ABP	- **	*	- **
Series	Size inch	Thread	Feature optional #
ABP	03 - 3/8"	N - NPT	DS - Dipstick
	04 - 1/2"		
	06 - 3/4"	B - BSPP	
	08 - 1"		

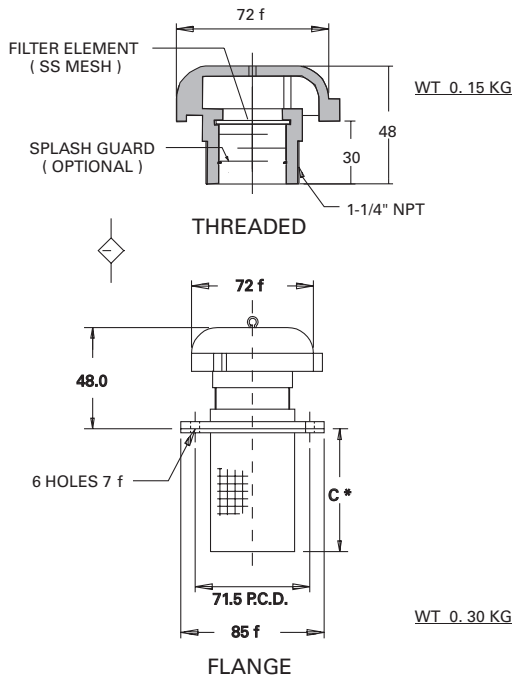
# Optional / special feature – omit if not required



# Breather

- Sturdy aluminium die cast construction
- Filtration S.S. 100 mesh standard
- For rugged application
- Metal strainer standard supply
- Gasket and mounting hardware supplied
- Optional splash guard to minimise spillage

AB T	-10	N	- **	- **
Series Inch	Size	Threads special #	Feature C* optional	Strainer
<b>T</b> – threaded	<b>10</b> – 1 1/4"	<b>N</b> – NPT	<b>NV</b> – non venting	<b>L6</b> – 152mm <b>L8</b> – 203mm
<b>F</b> – flange		<b>SG</b> – splash guard		

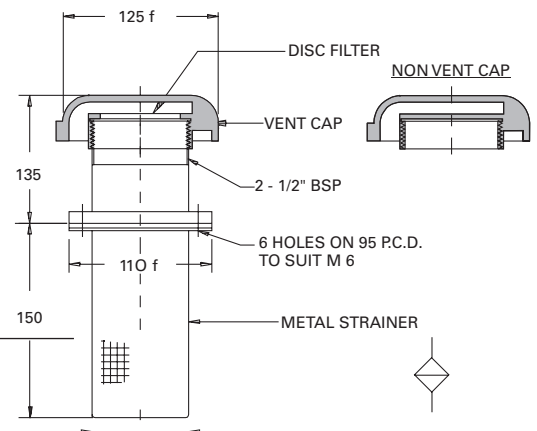


## High neck

- Suitable for gen sets / mobile application

### Model code: Assembly

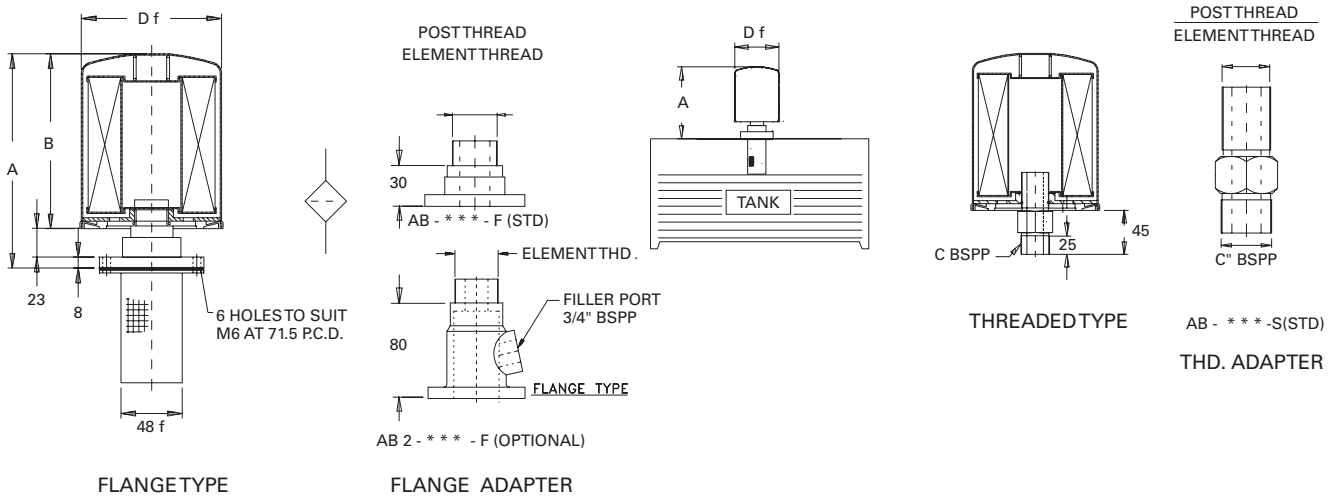
FSB	60	HN	**
Series	Size CFM	Type	Feature optional #
<b>FSB</b>	<b>60</b>	<b>HN</b> – high neck	<b>NV</b> – non venting



# Optional / special feature – omit if not required

# Breather - Spin on

- Easily replaceable spin on element
- Cast aluminium housing
- Excellent alternative to standard breather
- Mounts on standard 71.5mm PCD
- Flange and screw type mounting
- Filtration to 10 and 25 micron level
- For dusty ambient condition eg. mining, construction, cement works, etc



Model	air flow filtration		A	B	C in. BSPP	D	weight kgs
	LPM	μ microns					
AB 20.10	1500	10	177	146	3/4"	96	1.00
AB 20.25	2000	25	177	146	3/4"	96	1.00
AB 50.10	2600	10	211	180	1-1/4"	129	1.60
AB 50.25	3000	25	211	180	1-1/4"	129	1.60

### Model code: Flange adaptor

AB	-20	B	-F
Series	Size	Post Thread	Type
AB	20	B - BSPP	F - Flange
AB2	50	U - UNF	S - Screw

### Model code: Assembly

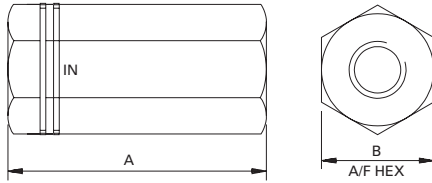
AB	-20	-10	U	-F
Series	Size	Filtration μ microns	Threads post	Mounting type
AB	20	10	B - BSPP (std)	F - flange
			U - UNF (std)	
AB2	50	25	B - BSPP (std)	S - screw

### Model code: Element

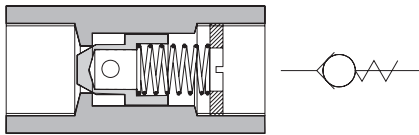
S/E	-20	-10	-U
Series	Size	Filtration μ microns	Threads post
S/E	20	10	B - 3/4" BSPP (optional)
			U - 1" UNF (standard)
IFE	50	25	B - 1-1/4" BSPP (std)

# Optional / special feature - omit if not required

## Check Valve - Inline



- 7 sizes - flows to 270 LPM
- Max. working pressure - 200 BAR
- Choice of cracking pressure .35/3.5 BAR
- Steel poppet type construction
- Prevents flow in reverse direction
- Suited for mineral/petroleum based oils
- Not recommended for use to check reverse flow resulting in shock conditions



MODEL No	Thread size In. BSPP	Rated flow LPM	A mm	'B' A/F mm	WT kgs
CUT-02-05	1/4"	20	65	19	0.15
CUT-03-05	3/8"	30	75	25	0.25
CUT-04-05	1/2"	50	85	30	0.40
CUT-06-05	3/4"	80	100	38	0.75
CUT-08-05	1"	150	115	41	0.90
CUT-10-05	1 - 1/4"	200	130	55	1.75
CUT-12-05	1 - 1/2"	270	132	65	2.70

Model code :

SERIES	Size IN BSPP	Cracking PR.	FEATURE OPTIONAL #
CUT	02 - 1/4"	05 - 5 PSI (STD) 50 - 50 PSI	
	03 - 3/8"		
	04 - 1/2"		
	06 - 3/4"		
	08 - 1"		
	10 - 1 - 1/4"		
	12 - 1 - 1/2"		

**# Optional / special feature - omit if not required  
Dimensions in mm for reference only**



## Notes