



SWIVEL JOINTS MASTER CATALOG



Fluid-Tec Engineering & Trading Pte Ltd

No. 5 Kian Teck Way Singapore 628733

Tel : +65 6264-3881 Fax : +65 6265-9707

Website: www.fluid-tec.net Email: fluidtec@singnet.com.sg

ADVANTAGES OF SWIVEL JOINTS

Prevent Hose Twisting/Kinking

- Swivel action on joints allows the hose to rotate freely reducing downtime. (Fig 2 & 3)

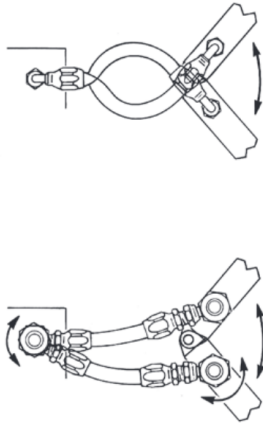


Fig 1

Absorb System Shock

- Capable of absorbing some hose shortening when system is pressurised as joints are non-rigid.

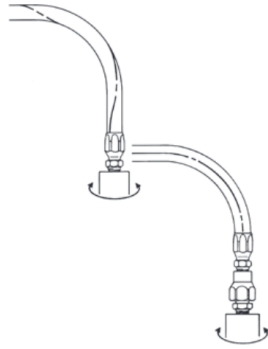


Fig 2

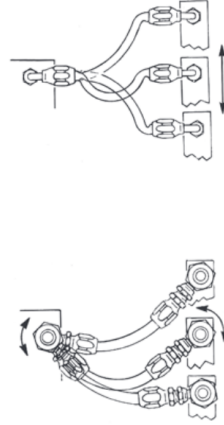


Fig 3

Source: Eaton

Better Plumbing Systems

- System is more space efficient as less hoses are needed (Fig 1).
- Eliminate the need for tubing configuration to accommodate 90° or other angles.
- Direct connection to hose lines eliminating the use of adaptors.

Cost Savings

- Huge cost savings due to less downtime, fewer adaptors and hose configuration.

SELECTION CRITERIA & PRODUCT CONSIDERATIONS

1. Pressure

- The operating pressure must not exceed the recommended working pressure of the joint

2. Temperature

- Fluid and ambient temperature must not exceed the stated limits. If the fluid temperature is too high, the internal seal will degrade causing the to leak and resist rotation. Likewise, the casing will be damaged if the external temperature is too high.

3. Fluid Compatibility

- The agent to be conveyed in the system is very important to the type of joint and seal material. Incompatible agents will corrode or damage the internal joint components.

4. Side Loading

- Side loading is a type of stress caused by the angular deflection in a piping system. It causes excessive wear on the bearing surface of the joint. Extra care must be taken to avoid such a situation.

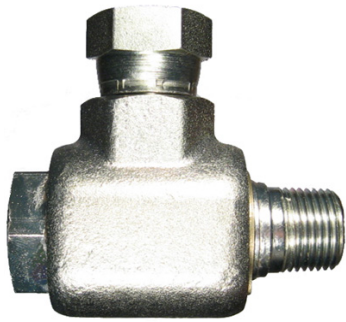


5. Configurations

- The configuration of the joint should be determined by factors such as available space and system routing. Make sure the joint and enveloped dimension allows for freedom of movement while maintaining compatibility with system routing.

6. Rotation

- Ensure that rotation of the joint should be easy, smooth and unrestricted for proper service of the joint.

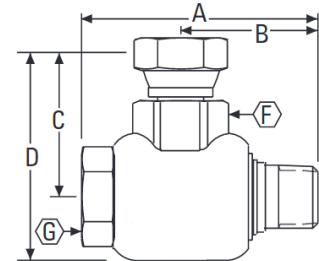


NPSM FEMALE x NPT MALE

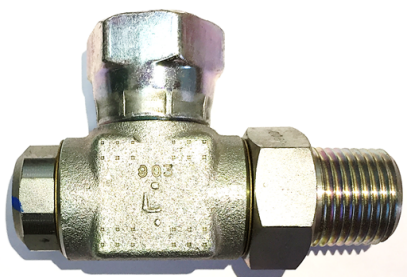
SPECIFICATIONS & DIMENSIONS

Seal Material / Application

Buna-N	Hydraulic Oil, Water, Glycol
EPR	Brake Fluids, Water, Phosphate Esters, Alcohols
Flourocarbon	Gasoline, Chemicals, Aromatic Solvents



Part No.	Size	A	B	C	D	F	G	Max WP
CS	in	mm	mm	mm	mm	mm	in	PSI
FS65000-04-04-01	1/4"	66.0	37.8	36.8	54.4	24.0	15/16	5,000
FS65000-06-06-01	3/8"	64.3	37.6	36.8	54.4	24.0	15/16	5,000
FS65000-08-08-01	1/2"	73.2	39.1	41.1	60.7	29.0	1	3,500
FS65000-12-12-01	3/4"	81.5	48.0	54.4	78.5	34.0	1.1/4	3,500
FS65000-16-16-01	1"	99.3	57.7	61.0	88.4	43.0	1.5/8	3,000

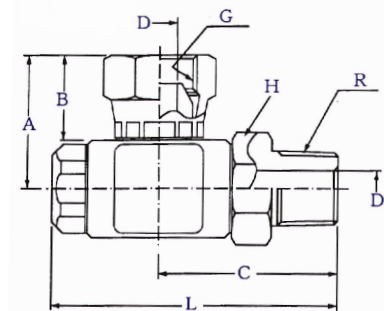


BSPP FEMALE x BSPT MALE

SPECIFICATIONS & DIMENSIONS

Seal Material / Application

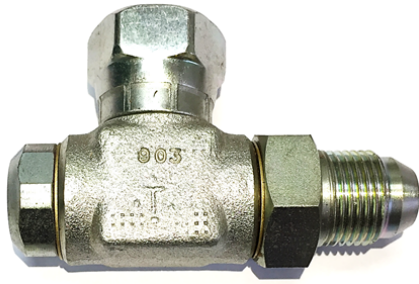
Buna-N	Hydraulic Oil, Water, Glycol
EPR	Brake Fluids, Water, Phosphate Esters, Alcohols
Flourocarbon	Gasoline, Chemicals, Aromatic Solvents



Part No.	Size	A	B	C	D	H	L	Max WP
CS	in	mm	mm	mm	mm	mm	mm	PSI
L0501-04	1/4"	27.0	17.0	36.0	5.0	19.0	58.0	5,000
L0501-06	3/8"	30.5	19.0	41.0	8.0	22.0	65.0	5,000
L0501-08	1/2"	36.0	22.0	50.0	10.5	27.0	78.5	3,500
L0501-12	3/4"	43.0	24.0	57.0	16.0	36.0	90.5	3,500
L0501-16	1"	48.0	26.5	64.0	20.5	41.0	101.0	3,000



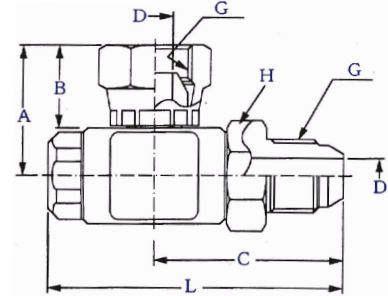
SPECIFICATIONS & DIMENSIONS



JIS FEMALE x JIS MALE

Seal Material / Application

Buna-N	Hydraulic Oil, Water, Glycol
EPR	Brake Fluids, Water, Phosphate Esters, Alcohols
Fluorocarbon	Gasoline, Chemicals, Aromatic Solvents



Part No.	Size	A	B	C	D	H	L	Max WP
CS	in	mm	mm	mm	mm	mm	mm	PSI
L0513-04	1/4"	27.0	17.0	39.0	5.0	19.0	59.5	5,000
L0513-06	3/8"	30.5	19.0	43.5	8.0	22.0	67.5	5,000
L0513-08	1/2"	36.0	22.0	52.0	10.5	27.0	81.5	3,500
L0513-12	3/4"	43.0	24.0	58.5	16.0	36.0	93.0	3,500
L0513-16	1"	48.0	26.5	64.5	20.5	41.0	102.0	3,000

SPECIFICATIONS & DIMENSIONS



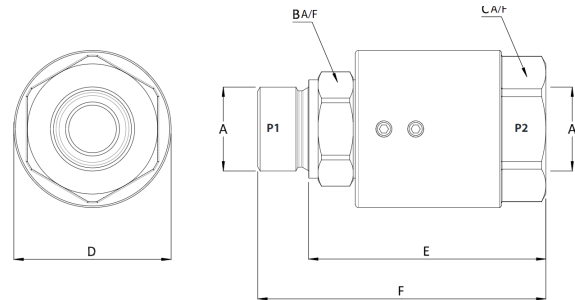
INLINE ROTARY COUPLINGS

Seal Material / Application

Nitrile	Hydraulic Oil, Water, Glycol
---------	------------------------------

Thread Type

BSPP/NPT



Part No.	Size	B	C	D	E	F	Max WP
CS	in	mm	mm	mm	mm	mm	Bar
GGIL-06	1/4"	19.0	30.0	34.0	52.0	63.0	400
GGIL-10	3/8"	24.0	32.0	37.6	54.8	66.5	400
GGIL-12	1/2"	27.0	32.0	39.5	56.6	70.8	360
GGIL-19	3/4"	32.0	41.0	49.5	74.8	90.8	310
GGIL-25	1"	41.0	46.0	54.5	80.8	100.2	280
GGIL-32	1.1/4"	50.0	54.7	59.7	78.5	98.2	250
GGIL-40	1.1/2"	55.0	65.0	70.0	85.0	107.0	210
GGIL-50	2"	57.0	75.0	79.5	92.0	117.0	180

SPECIFICATIONS & DIMENSIONS



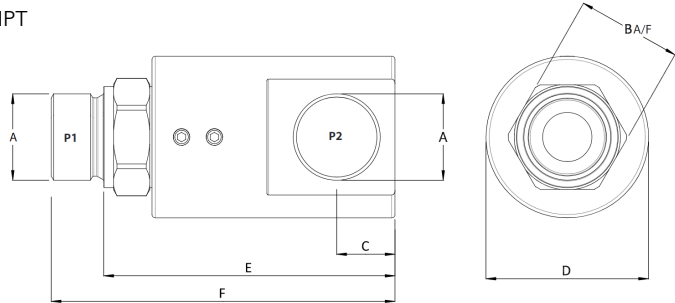
90DEG ROTARY COUPLINGS

Seal Material / Application

Nitrile Hydraulic Oil, Water, Glycol

Thread Type

BSPP/NPT



Part No.	Size	B	C	D	E	F	Max WP
CS	in	mm	mm	mm	mm	mm	Bar
GGIL-06	1/4"	19.0	11.3	33.0	57.5	71.0	400
GGIL-10	3/8"	24.0	13.5	37.7	65.7	77.5	400
GGIL-12	1/2"	27.0	16.3	39.5	77.5	91.4	360
GGIL-19	3/4"	32.0	19.0	55.9	81.0	100.0	310
GGIL-25	1"	41.0	22.8	59.5	101.0	120.0	280
GGIL-32	1.1/4"	50.0	32.0	64.5	84.1	120.0	250
GGIL-40	1.1/2"	55.0	39.0	76.0	114.5	137.5	210
GGIL-50	2"	57.0	43.5	86.0	123.4	149.0	180